

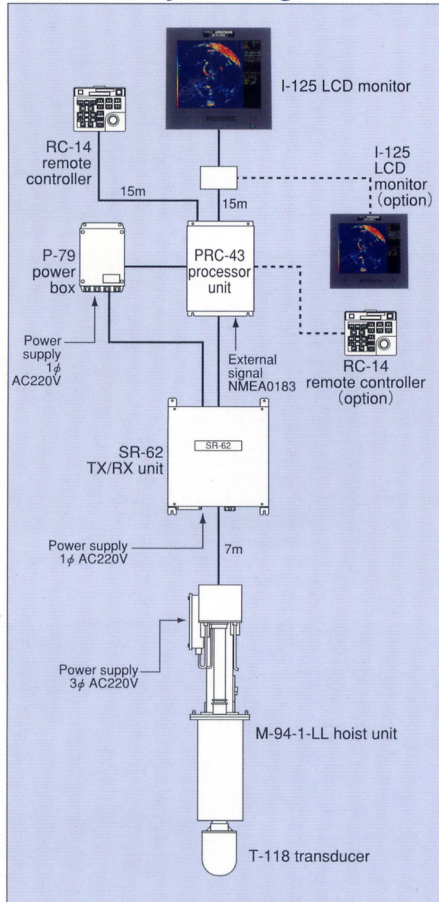
## System components

System	KCS-2000	KCS-2500	KCS-2881
Display section	I-125 LCD monitor	I-125 LCD monitor	I-125 LCD monitor
Control section	RC-14 remote controller	RC-14 remote controller	RC-14 remote controller
Processing section	PRC-43 processor unit	PRC-43 processor unit	PRC-43 processor unit
Transmission section	SR-62 TX/RX unit		TX-23 transmitter
Receiving section			RX-39 receiver
Hoist section	M-94-1-LL hoist unit (T-118 transducer)	M-97-LL hoist unit (T-122 transducer)	M-94-1-LL hoist unit (T-117 transducer)
Power supply section	P-79 power box	P-79 power box	P-79 power box

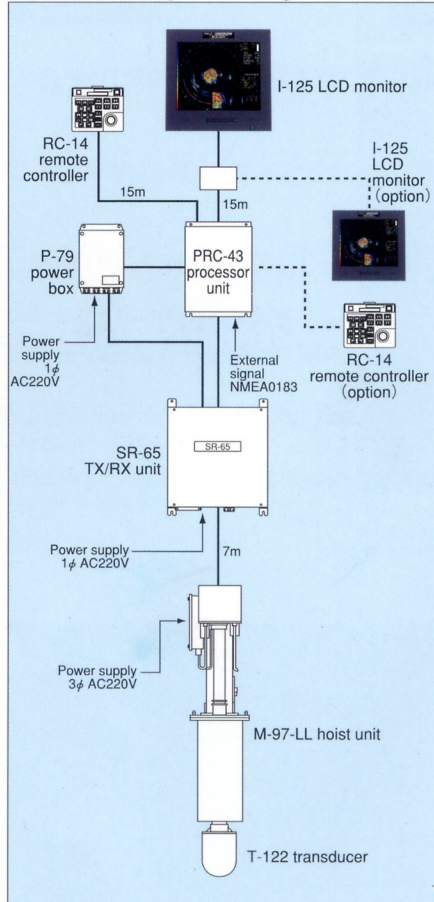
Composition	Type	Unit	Measurement(W×H×D)	Weight
Display section	I-125 LCD monitor	1	477×450×210mm	12kg
Control section	RC-14 remote controller	1	200×172×50mm	1kg
Processing section	PRC-43 processor unit	1	465×654×302mm	37kg
Receiver section	SR-62 receiver TX/RX unit *1	1	600×697×450mm	97kg
Receiver section	SR-65 receiver TX/RX unit *2	1	600×697×450mm	97kg
Transmission section	TX-23 transmitter *3	1	320×600×405mm	35kg
Receiver section	RX-39 receiver *3	1	615×754×445mm	95kg
Hoist section	M-94-1-LL hoist unit(T-118) *1	1	690×3510×714mm	350kg
Hoist section	M-97-LL hoist unit(T-122) *2	1	600×2880×530mm	350kg
Hoist section	M-94-1-LL hoist unit(T-117) *3	1	690×3510×714mm	400kg
Power supply section	P-79 power box	1	215×335×153mm	12kg

\*1 KCS-2000, \*2 KCS-2500, \*3 KCS-2881

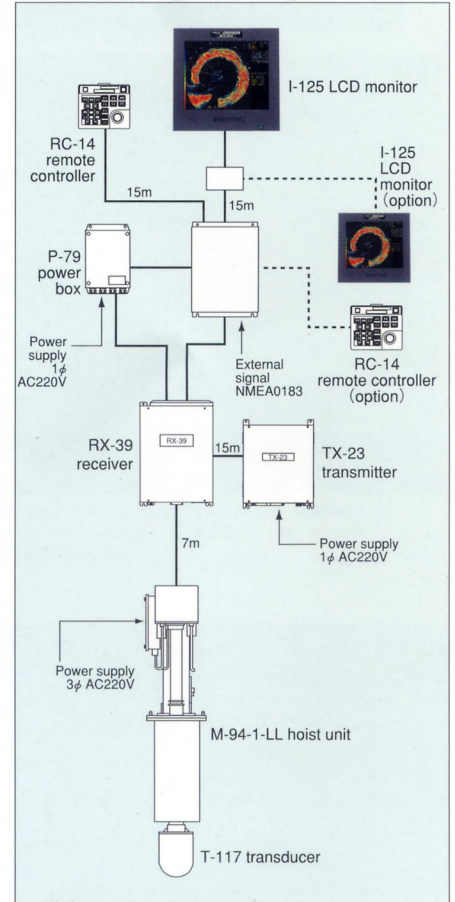
### KCS-2000 system diagram



### KCS-2500 system diagram



### KCS-2881 system diagram



**⚠ Safety Instruction:** Be sure to read the "Instruction Manual" carefully before use and trouble-free operation of the product.  
 ※The specifications and appearance of the product featured in this catalog are subject to change without notice due to continual improvements.